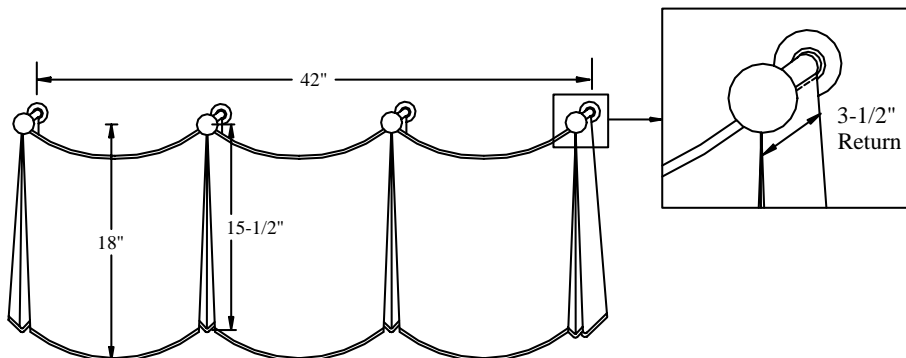




Show Home PATTERNS

DELAINE VALANCE

©2007 Pate-Meadows Designs, Inc.



- This fun, tailored valance is an unusual take on a pleated style and can be adapted to fit any size window. Our instructions are for a valance that is 42" finished width. The information needed to add to or reduce the width is included. The finished length of the valance is approximately 18" at the swag and 15 1/2" at the pleated area and sides. The pattern allows for 3 1/2" returns at each side where the valance returns to the wall to cover the hardware.
- We used a contrast fabric for the pleat and pleat lining. The swag sections are lined in regular drapery lining (natural or white).
- We added trim to the bottom of the swag and side sections. It is not recommended to put trim across the bottom of the pleated sections as the trim has a tendency to cause the pleats to flare out.
- This valance works best when constructed out of a light- to medium-weight decorative fabric. Heavyweight or upholstery fabric will not work well.
- Use a drapery interlining to give the valance the best body and shape. Interlining is a flannel-like cotton fabric that hangs between the face fabric and the lining. It is available in white and natural colors and can be found at most decorative fabric stores or at www.patemeadows.com. It is *not* the same thing as interfacing.
- This pattern allows for a 3 1/2" return; therefore, the valance must be installed with a 3 1/2" projection from the wall (see inset above). It *will not* work installed on knobs alone. We recommend using decorative knobs with post adapters which are available at www.patemeadows.com.

The following amounts are for a valance measuring 42" finished, installed width. **These amounts are based on 54" wide fabric.**

Fabrics:

- 1 1/4 yards of decorative fabric for valance front* , tabs and lining of sides
- 1 1/4 yards of decorative fabric for pleats & pleat lining
- 3/4 yards of lining for swags
- 1 3/4 yards of drapery interlining (www.patemeadows.com)
- 1 1/2 yards fabric to cover piping

Supplies:

- Temporary fabric marker
- 1/2 yard of 3/4" hook & loop tape (velcro)
- 2 yards trim for bottom of valance (optional)
- 4 decorative knobs & 4 post adapters (www.patemeadows.com)
- 5 1/2 yards of 4/32" cotton piping

YARDAGE FOR OTHER WINDOW WIDTHS

Window Width	Face fabric*	Fabric for Pleat & Pleat Lining	Interlining	Lining	Fabric for piping**	Trim along bottom edge	4/32" cotton piping	Knobs & Post Adapters***
42"	1 1/4 yds	1 1/4 yds	1 3/4 yds	3/4 yds	1 1/2 yds	2 yds	5 1/2 yds	4
56"	2 1/4 yds	1 3/4 yds	2 yds	1 1/2 yds	1 1/2 yds	2 1/2 yds	7 1/4 yds	5
70"	2 1/4 yds	1 3/4 yds	2 3/4 yds	1 1/2 yds	1 1/2 yds	3 yds	9 yds	6
84"	3 yds	2 1/2 yds	3 1/2 yds	1 1/2 yds	1 1/2 yds	3 1/2 yds	10 3/4 yds	7
98"	3 yds	2 1/2 yds	4 1/4 yds	2 yds	1 1/2 yds	4 yds	12 1/2 yds	8
112"	3 3/4 yds	3 yds	5 yds	2 yds	1 1/2 yds	4 1/2 yds	14 1/4 yds	9

* These amounts are based on 54" wide fabric. Allow extra fabric to match patterns and plaids.

**For multiple valances, a total of 1 1/2 to 2 yards fabric for piping is usually sufficient.

***Available from www.patemeadows.com