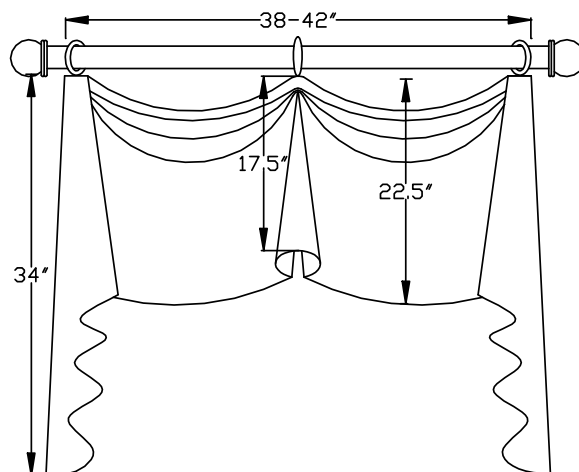




CATHERINE VALANCE

©2005 Pate-Meadows Designs, Inc. (Rev. 01/07)

- This unique valance is a casual take on a formal style and can be adapted to fit any size window by adding additional swag sections. Our instructions are for a valance that is 38-42" finished width. The information needed to add to or reduce the width is included. The finished length of the valance is approximately 22 1/2" at the swag, 17 1/2" at the middle horn and 34" at the side jabots. The jabots are lined in a contrasting fabric. A facing made with decorative fabric is used along the bottom edge of the swag lining so that ivory/white lining does show to the front.
- This valance works best when constructed out of a medium-weight decorative fabric.
- Use a drapery interlining to give the valance the best body and shape. Interlining is a flannel-like cotton fabric that hangs between the face fabric and the lining. It is available in white and natural colors and can be found at most decorative fabric stores or at www.patemeadows.com. It is **not** the same thing as interfacing.
- We mounted our valance on a wooden rod with rings.



MATERIALS

These amounts are for a valance measuring 38" to 42" finished, installed width. See chart for other widths. These amounts are based on 54" wide fabric.

Fabrics:

- 4 1/2 yards of decorative fabric for valance front*
- 2 1/2 yards of contrasting fabric for facing and lining of horns and jabots
- 2 1/2 yards of lining
- [4 1/2 yards of drapery interlining \(www.patemeadows.com\)](http://www.patemeadows.com)
- 1 1/2 yards fabric to cover piping
- 5 1/2 yards trim (optional)

*Allow extra fabric for matching of patterned fabric

Supplies:

- [Temporary fabric marker \(www.patemeadows.com\)](http://www.patemeadows.com)
- [Steam-A-Seam²® - 1/2" \(www.patemeadows.com\)](http://www.patemeadows.com)
- [6 1/2 yards of 4/32" cotton piping \(www.patemeadows.com\)](http://www.patemeadows.com)
- 2 drapery pins
- [2 - 2-1/2" angle irons \(www.patemeadows.com\)](http://www.patemeadows.com)
- two 4" pieces of a 1 x 4 board
- double-sided tape
- Tufting twine or dental floss**
- 3 1/2" doll-making needle**

**Our tack gun and tacks can be substituted for the twine and doll-making needle (www.patemeadows.com)

YARDAGE FOR OTHER WINDOW WIDTHS

Window Width	Face fabric*	Contrasting fabric for lining of horns, jabots & facing	Lining	Interlining	Fabric for piping**	Trim for bottom of valance	4/32" cotton piping
Up to 42"	4 1/2 yds	2 1/2 yds	2 1/2 yds	4 1/2 yds	1 1/2 yds	5 1/2 yds	6 1/2 yds
43" to 62"	5 3/4 yds	3 yds	3 3/4 yds	5 3/4 yds	1 1/2 yds	6 3/4 yds	8 1/4 yds
63 to 82"	7 yds	3 1/2 yds	5 yds	7 yds	1 1/2 yds	7 3/4 yds	10 1/4 yds
83 to 102"	8 1/4 yds	4 yds	6 1/4 yds	8 1/4 yds	1 1/2 yds	8 3/4 yds	12 yds
103 to 122"	9 1/2 yds	4 1/2 yds	7 1/2 yds	9 1/2 yds	1 1/2 yds	10 yds	13 1/2 yds
123 to 142"	10 3/4 yds	5 yds	8 3/4 yds	10 3/4 yds	1 1/2 yds	11 yds	15 1/2 yds

* These amounts are based on 54" wide fabric. Allow extra fabric to match patterns and plaids. These amounts are based on unaltered swag sections (A). **For multiple valances, a total of 1 1/2 to 2 yards fabric for piping is usually sufficient.