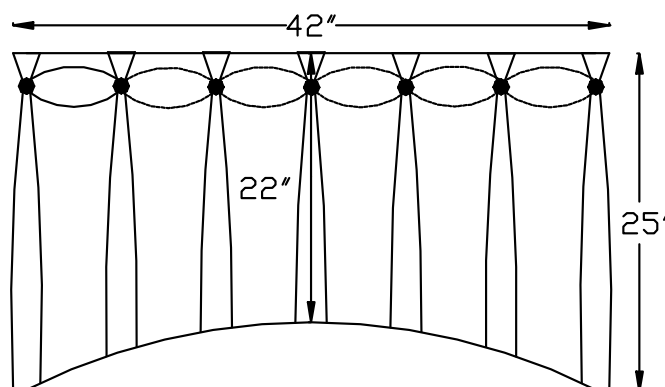




DANA VALANCE

©2004 Pate-Meadows Designs, Inc. (Rev. 10/13)

- This elegant valance with sash and buttons can be adapted to fit various window widths. Our pattern, as is, makes a valance that is 42" finished width. The finished length of the valance is approximately 22 inches at the center and approximately 25 inches at the sides.
- This valance works best when constructed out of a medium to heavy-weight decorative fabric for the face fabric. We recommend a light-weight fabric, such as silk taffeta, for the sash.
- The valance has a slightly shaped bottom with facings at the top and bottom.
- Use a drapery interlining to give the valance the best body and shape. Interlining is a flannel-like cotton fabric that hangs between the face fabric and the lining. It is available in white and natural colors and can be found at most decorative fabric stores or at www.patemeadows.com. It is *not* the same thing as interfacing.
- The valance in the picture is mounted on a 1 x 6" dustboard. You can use either a 1 x 4" or a 1 x 6" board.
- A small piping is applied to the top and bottom of the valance. We also applied a decorative trim along the bottom of the valance.



MATERIALS

These amounts are for a valance measuring 42" wide finished. See chart below for other window widths. These amounts are based on 54" wide fabric. Allow extra fabric to match patterns and plaids.

Fabrics:

- 2 yards of decorative fabric for valance front.
- [1 ½ yards of drapery lining, ivory or white*](#)
- [1 ½ yards of drapery interlining*](#)
- 1 ½ yards of fabric for sash
- 1 ½ yards fabric to cover buttons and piping.

* Available at www.patemeadows.com

Supplies:

- [6 yards of 4/32"-diameter cotton piping*](#)
- [Temporary fabric marker *](#)
- [7 cover-your-own buttons 7/8" diameter*](#)
- Hot glue gun
- 3 yards of decorative trim for bottom of valance (optional)
- [Steam-A-Seam²® - ½" *](#)
- Tufting twine or white nylon braided twine (found in fishing department)

YARDAGE FOR OTHER WINDOW WIDTHS

Window Width	Main Fabric*	Drapery Lining & Interlining	Fabric for sash	Buttons	Trim along bottom of valance	4/32" Cotton Piping	Fabric for buttons & piping**
28"	2 yards	1 ½ yards	¾ yards	5	2 ¼ yards	5 yards	1 ½ yards
35"	2 yards	1 ½ yards	1 ½ yards	6	2 ½ yards	5 ½ yards	1 ½ yards
42"	2 yards	1 ½ yards	1 ½ yards	7	3 yards	6 yards	1 ½ yards
49"	3 yards	2 ¼ yards	1 ½ yards	8	3 ¼ yards	7 yards	1 ½ yards
56"	3 yards	2 ¼ yards	1 ½ yards	9	3 ¾ yards	8 yards	1 ½ yards
63"	3 yards	2 ¼ yards	1 ½ yards	10	4 ¼ yards	9 yards	1 ½ yards
70"	3 yards	2 ¼ yards	2 yards	11	4 ½ yards	9 ½ yards	1 ½ yards
77"	4 yards	3 yards	2 yards	12	5 yards	10 yards	1 ½ yards
84"	4 yards	3 yards	2 yards	13	5 ¼ yards	11 yards	1 ½ yards
91"	4 yards	3 yards	2 yards	14	5 ¾ yards	12 yards	1 ½ yards
98"	4 yards	3 yards	2 yards	15	6 yards	12 ½ yards	1 ½ yards

*These amounts are based on 54" wide fabric. Allow extra fabric to match patterns and plaids.

**For multiple valances, a total of 2 yards fabric for piping is usually sufficient.