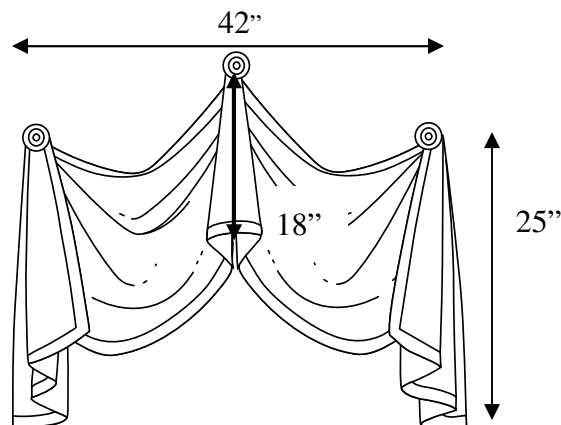




PULL-UP VALANCE

©2002 Pate-Meadows Designs, Inc. (Rev. 6/06)

- This fully lined and interlined, arched valance with banding can be adapted to fit windows from 30" to 88" in width. The finished length of the valance is approximately 18" at the middle and 25" at the sides. This valance is pulled up 8-12" in the center depending on the width of the valance.
- This valance works best when constructed out of a medium-weight decorative fabric.
- The horn section and side jabots are lined in a contrasting fabric. The swag sections are lined in regular ivory or white drapery lining; however, a decorative trim or piping should be added to prevent the lining from showing at the bottom of the treatment.
- The pattern includes instructions for adding a 1" contrasting band, however decorative fringe could be used instead.
- Use a drapery interlining to give the valance the best body and shape. Interlining is a flannel-like cotton fabric that hangs between the face fabric and the lining. It is available in white and natural colors and can be found at most decorative fabric stores or at www.patemeadows.com. It is *not* the same thing as interfacing.
- The valance shown in the photograph is attached to the wall using decorative swag holders (available at www.patemeadows.com)



MATERIALS

These amounts are for a valance measuring 42" wide finished. See chart below for other window widths. These amounts are based on 54" wide fabric.

Fabrics:

- 2 ³/₄ yards of decorative fabric for valance front*
- 3 yards of decorative contrasting fabric for banding & lining of side jabots and horn section.
- [2 ³/₄ yards of drapery interlining \(www.patemeadows.com\)](http://www.patemeadows.com)
- [2 yards of ivory or white drapery lining \(www.patemeadows.com\)](http://www.patemeadows.com)
- 4 ³/₄ yards of fringe or trim along bottom edge (optional)

Supplies

- [Temporary fabric marker \(www.patemeadows.com\)](http://www.patemeadows.com)
- [3 decorative swag holders \(www.patemeadows.com\)](http://www.patemeadows.com)
- Double-sided tape
- [1" bias tape maker \(www.patemeadows.com\)](http://www.patemeadows.com)
- [6 yards 4/32" cotton piping \(www.patemeadows.com\)](http://www.patemeadows.com)
- [Steam-A-Seam 2[®] - 1/2" \(www.patemeadows.com\)](http://www.patemeadows.com)

YARDAGE FOR OTHER WINDOW WIDTHS

Window Width	Main Fabric*	Decorative Lining for Horn, Jabots & Banding & Piping	Interlining	Drapery Lining	Swag holders	Trim (optional)
30" to 42"	2 ³ / ₄ yds	3 yds	2 ³ / ₄ yds	2 yds	3	4 ³ / ₄ yds
43" to 88"	3 ¹ / ₂ yds	3 yds	3 ¹ / ₂ yds	2 ¹ / ₄ yds	3	6 ¹ / ₄ yds

*These amounts are based on 54" wide fabric. Allow extra fabric to match patterns and plaids

**For multiple valances, a total of 2 yards fabric for piping is usually sufficient.